

Receiver

 Society
 Reference
 Address
 Phone
 Fax
 E-mail

From

 -
 -
 -

Item n° :

102670020

Model :

JETCOM 82 M

Pump data

 Pressure rating : 6 bar (600 kPa)
 Min. fluid temperature : 0 °C
 Max. fluid temperature : 35 °C
 Max. Ambient temperature : 40 °C

Priming capacity :

H	m	2	3	4	5	6	7	8	9
Q	m³/h	3.06	2.76	2.46	2.28	1.92	1.74	1.32	1.02

Requested data

 Flow : 0.00 m³/h
 Head : 0.00 m
 Fluid : Water
 Fluid Temperature : 20 °C
 Density : 62.315 lb/ft³
 Kinematic viscosity : 1.0769E-5 ft²/s
 Vapor pressure : 2.20 kPa

Hydraulic data (duty point)

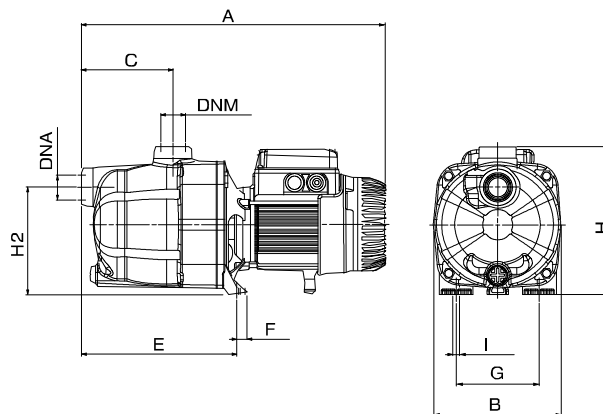
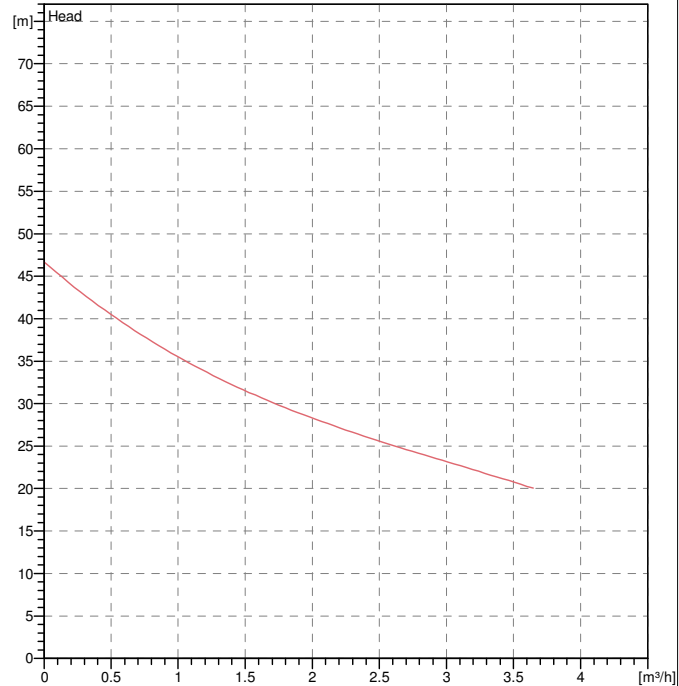
 Flow :
 Head :

Materials

 Pump body Technopolymer A
 Disc seal AISI 304 X5 Cr Ni 1810 UNI 6900/71
 Impeller Technopolymer A
 Mechanical seal Carbon/Ceramic
 OR ring NBR Rubber
 Shaft with rotor AISI 416 X12 CrS 13 UNI 6900/71
 Nozzle venturi diffuser assembly Technopolymer A

Motor data

 Motor brand : DAB
 Nominal power P2 : 0.80461 hp
 Rated speed : 2750 rpm
 Rated voltage : 1~ 220-240 V 50 Hz
 Nominal current : 3.8 A
 Degree of protection : IP 44

Curve tolerance according to ISO 9906

Dimensions in mm

A	406	DNM	1" G	H	198		
B	170	E	208	H2	144		
C	122	F	14	I Ø	9		
DNA	1" G	G	111				

Weight : 16.975 lb

Pump connection

 Suction side : 1" G / 6 bar (600 kPa)
 Discharge side : 1" G / 6 bar (600 kPa)



WATER • TECHNOLOGY

PERFORMANCE CURVES

18-08-2016

Page 2 / 3

DAB PUMPS S.p.A.
Via Marco Polo, 14 - 35035 Mestrino (PD), Italy
Tel. +39 049 5125000 - Fax +39 049 5125950
www.dabpumps.com

Receiver

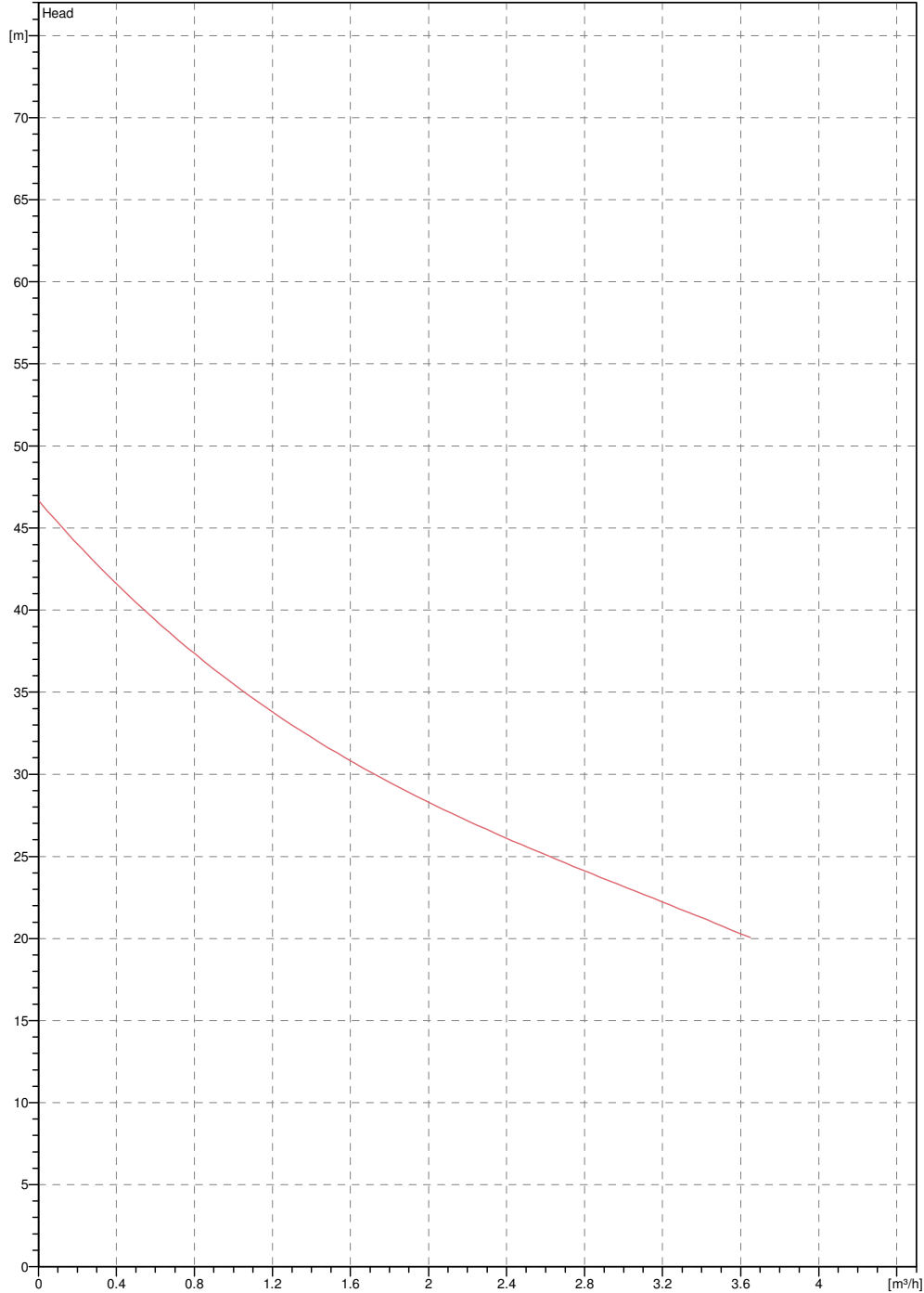
From

Society
Reference
Address
Phone
Fax
E-mail

-
-
-

JETCOM 82 M

Curve tolerance according to ISO 9906



Hydraulic data (duty point)

Suction side :
1 " G
6 bar (600 kPa)

Discharge side :
1 " G
6 bar (600 kPa)

Flow :
0 m³/h

Head :
0 m

Rated speed :
2750 rpm

Project

Project ID

Created by

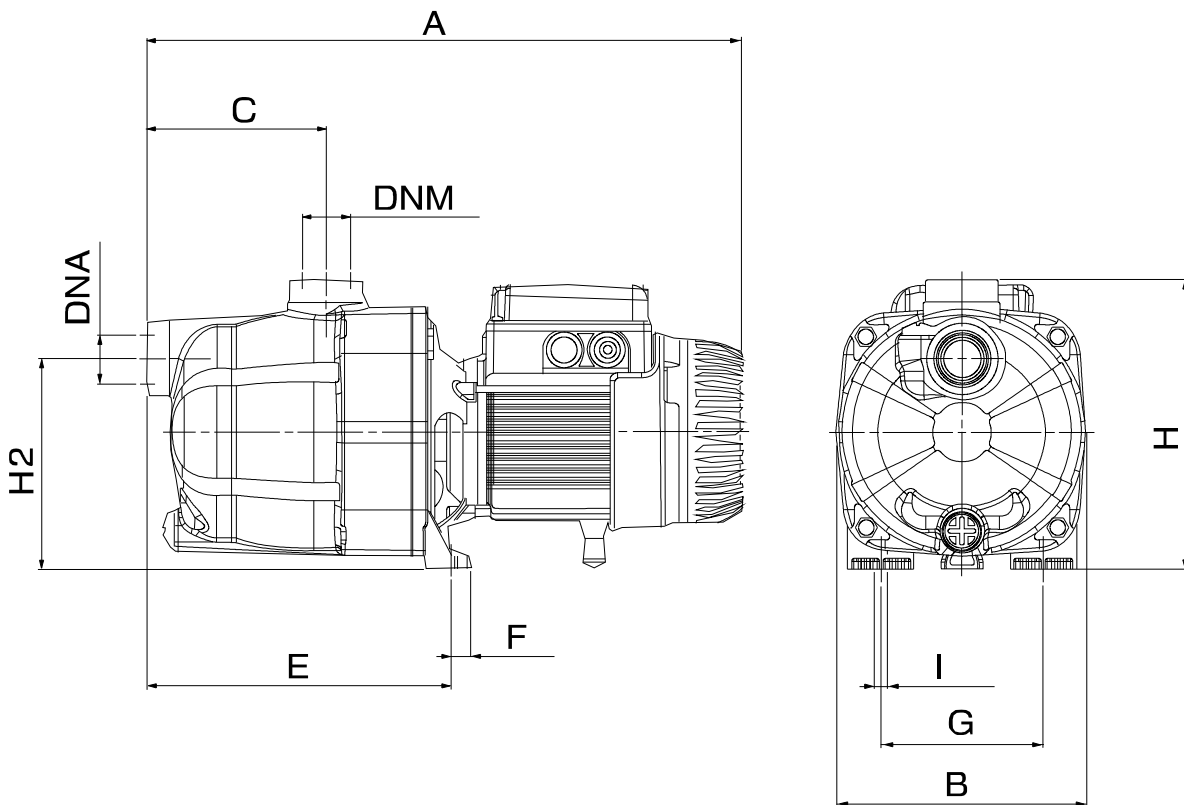
Created on
18-08-2016

Receiver

From

Society
 Reference
 Address
 Phone
 Fax
 E-mail

JETCOM 82 M


Dimensions in mm

1	A	406	1 Ø	9		
2	B	170				
3	C	122				
4	DNA	1" G				
5	DNM	1" G				
6	E	208				
7	F	14				
8	G	111				
9	H	198				
10	H2	144				

Pump connection

Suction
 1" G
 6 bar (600 kPa)

Discharge
 1" G
 6 bar (600 kPa)

Project

Project ID

Created by

Created on

18-08-2016